

STARLIGHT 

5MP Motorised VF Turret Camera

micron 

IPC5TAF

Key Features



Optics

- Day/night functionality
- Optical glass window with higher light transmittance
- IR anti-reflection window to increase the infrared range
- Smart IR, up to 30 m IR distance
- 3D DNR (Digital Noise Reduction)

Compression

- H.265, H.264, MJPEG, H.265 Ultra
- Embedded smart algorithm
- Triple streams
- 9:16 corridor mode

Network

- ONVIF Conformance

Structure

- Support PoE power supply
- Wide temperature range: -40°C to 60°C
- Wide voltage range of ±25%
- IP67

Accessories



IPBTS

Eyeball Surface Box



IPBTW

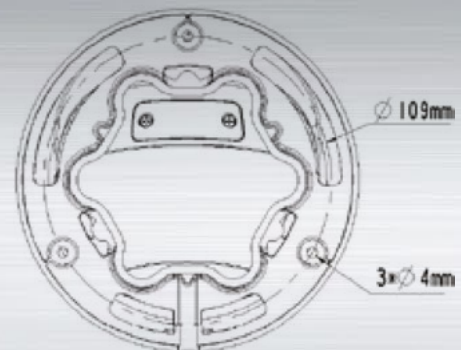
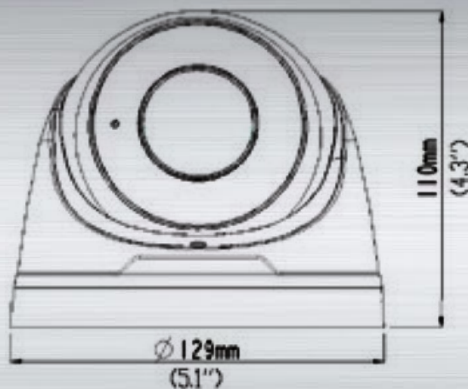
Eyeball Wallmount Bracket



IPBPM

Pole Mount Adapter

Dimensions



Camera		IPC4TAF	
Sensor	1/2.7", progressive scan, 5.0 megapixel, CMOS		
Lens	2.7-13.5 mm, Auto Focus, Motorised Lens		
Angle of view(H)	93.0° (wide) ~28.0° (tele)		
Zoom/Focus	Motor drive / Auto Focus		
Shutter	Auto/Manual, 1/6-1/100000 s		
Min. Illumination	Colour: 0.02 Lux (F1.4, AGC ON) 0 Lux with IR		
IR Range	Up to 30m (98 ft) IR range		
Day/Night	IR-cut filter with auto switch (ICR)		
S/N	>52 DB		
WDR	120 DB		
Noise Reduction	2D/3D		
Video			
Max. Resolution	2592x1520		
Video Compression	H.265,H.264, MJPEG, H.265 Ultra		
Frame Rate	5MP (2592×1944): Max. 20 fps; 4MP (2592×1520): Max.20 fps; 4MP (2560×1440): Max.25fps		
Video Streaming	Triple		
9:16 Corridor Format	Supported		
ROI	Supported		
HLC	Supported		
BLC	Supported		
Evaluative Metering	Supported		
OSD	Up to 8 OSDs		
Privacy Mask	Up to 8 areas		
Smart			
Behavior Detection	Intrusion, crossing line, motion detection		
Intelligent Identification	Face detection, Defocus, Scene Change		
Statistical Analysis	People counting		
Storage			
Edge Storage	Micro SD, up to128 GB		
Network			
Protocols	L2TP, IPv4, IGMP, ICMP, ARP, TCP, UDP, DHCP, PPPoE, RTP, RTSP, RTCP, DNS, DDNS, NTP, FTP, UPnP, HTTP, HTTPS, SMTP, 802.1x		
Compatible Integration	ONVIF, API		
Interface			
Built-in Mic	Supported		
Network	10M/100M Base-TX Ethernet		
General			
Power	12 V DC, or PoE	Power consumption:Max 6.6W (PoE: Max 7.2W)	
Dimensions (Ø x H)	129 x 110 mm		
Weight	0.67 kg		
WorkingEnvironment	-40° C~+60° C, Humidity ≤ 95 % RH(non-condensing)		
Ingress Protection	IP67		