

**STARLIGHT** 

# 5MP Motorised VF Bullet Camera

IPC5BAF

## Key Features

### Optics

- Day/night functionality
- Smart IR, up to 30m IR distance
- Up to 120 DB Optical WDR (Wide Dynamic Range)
- 3D DNR (Digital Noise Reduction)

### Compression

- H.265, H.264, MJPEG, H.265 Ultra
- Embedded smart algorithm
- Triple streams
- ROI (Region of Interest)
- 9:16 corridor mode
- Customised OSD

### Network

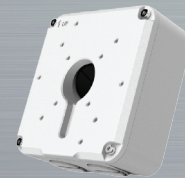
- ONVIF Conformance

### Structure

- Wide temperature range: -35°C to 60°C
- Wide voltage range of ±25%
- IP67
- Support POE Power Supply



## Accessories



IPBBS

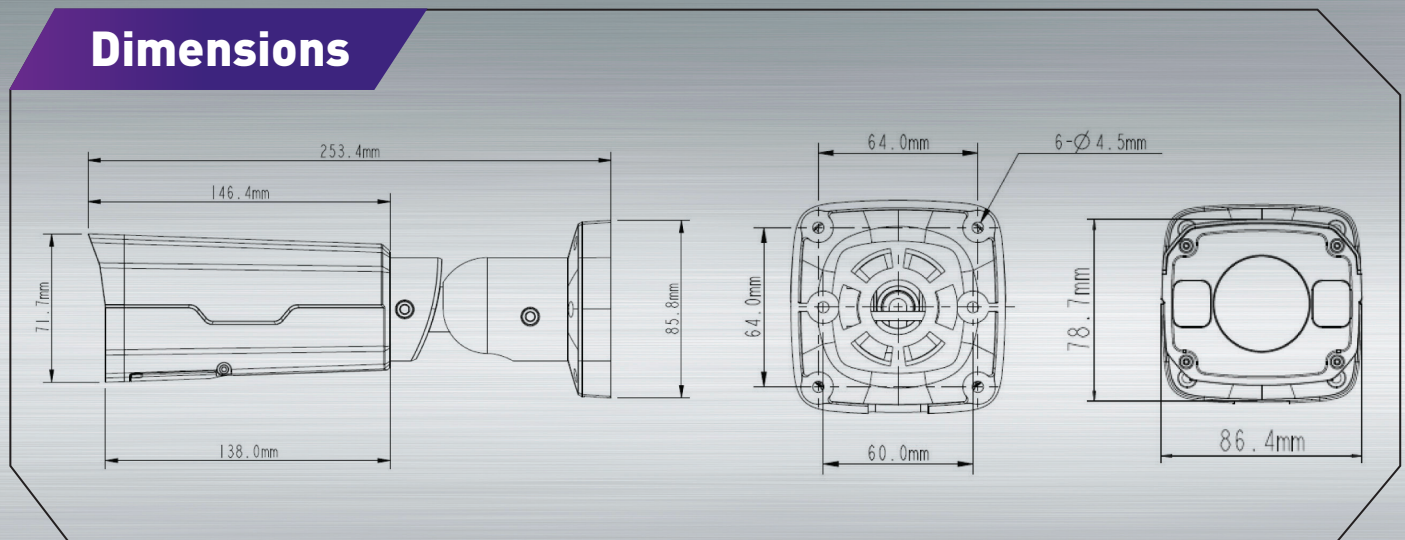
Bullet Camera Junction Box



IPBPM

Pole Mount Adapter

## Dimensions



Camera		IPC4BAF	
Sensor	1/2.7", progressive scan, 5.0 megapixel, CMOS		
Lens	2.7-13.5 mm, Auto Focus, Motorised Lens		
Angle of View(H)	93.0° (wide) ~28.0° (tele)		
Zoom/Focus	Motor drive / Auto Focus		
Shutter	Auto/Manual, 1/6-1/100000 s		
Min. Illumination	Colour: 0.02 Lux (F1.4, AGC ON) 0 Lux with IR on		
IR Range	Up to 30m (98 ft) IR range		
Day/Night	IR-cut filter with auto switch (ICR)		
S/N	>55 DB		
WDR	Optical WDR (up to 120 dB)		
Video			
Max. Resolution	2592 × 1520		
Video Compression	H.265, H.264, MJPEG, H.265 Ultra		
Frame Rate	5MP (2592×1944): Max. 20 fps    4MP (2592×1520): Max. 20 fps; 4MP (2560×1440): Max. 25 fps 3MP (2048×1520): Max. 30 fps; 1080P (1920×1080): Max. 30 fps		
Video Streaming	Triple		
9:16 Corridor Mode	Supported		
ROI	Supported		
HLC	Supported		
BLC	Supported		
Evaluative Metering	Supported		
OSD	Up to 8 OSDs		
Privacy Mask	Up to 8 areas		
Smart			
Behavior Detection	Intrusion, crossing line, motion detection		
Exception Detection	Audio detection		
Intelligent Identification	Face detection, Defocus, Scene Change		
Statistical Analysis	People counting		
Audio			
Audio Compression	G.711		
Two-way audio	Supported		
Storage			
Edge Storage	Micro SD, up to 128 GB		
Network			
Protocols	L2TP, IPv4, IGMP, ICMP, ARP, TCP, UDP, DHCP, PPPoE, RTP, RTSP, RTCP, DNS, DDNS, NTP, FTP, UPnP, HTTP, HTTPS, SMTP, SIP, 802.1x		
Compatible Integration	ONVIF, API		
Interface			
Audio I/O	Audio cable		
	Input: impedance 35 k Ω; amplitude 2 V [p-p]	Output: impedance 600 Ω; amplitude 2 V [p-p]	
Alarm I/O	1 / 1		
Network	10M/100M Base-TX Ethernet		
General			
Power	12 V DC, or PoE (IEEE802.3 af)	Power consumption: Max 8W (POE: MAX 9.2w)	
Dimensions (L × W × H)	253.4 × 86 × 71.7 mm		
Material	Cast aluminum		
Weight	0.93 kg (2.05 lb)		
Working Environment	- 35°C ~ +60°C , Humidity= 95% RH(non-condensing)		
Ingress Protection	IP67		