

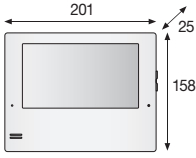
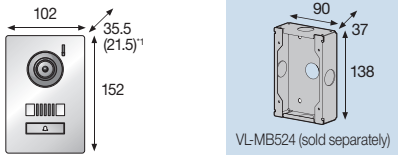


# Model Composition

VL-SV74

Monitor (VL-MV74) x 1, Door Station (VL-V524) x 1

## Specifications

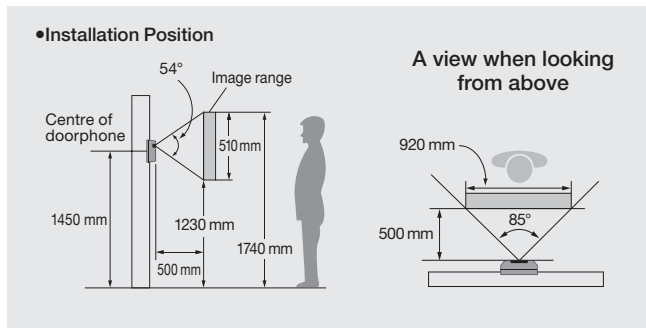
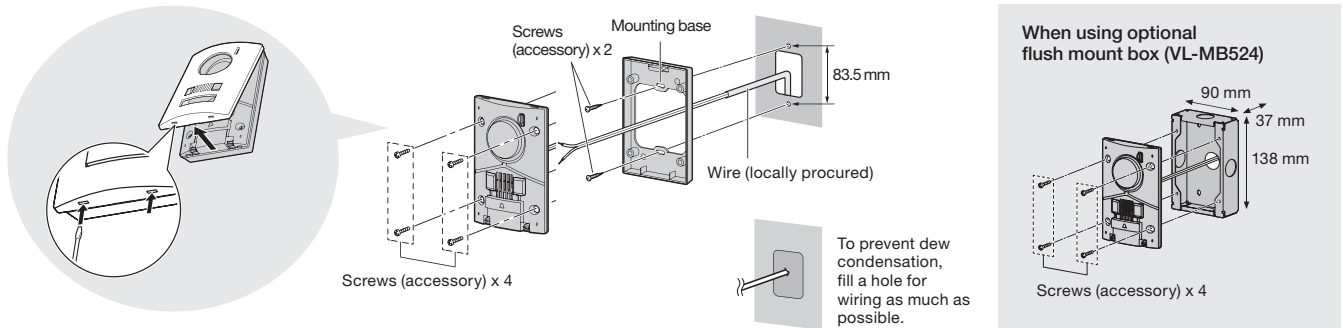
Model number	VL-MV74 S (silver) VL-MV74 W (white)	VL-V524
Model name	Main Monitor Station (Main monitor) Extension Monitor	Door Station (Doorphone)
Dimensions (mm) (excluding protruding sections)	Up to 3 (not including the main monitor) 	Up to 2 
Power source	220-240 V AC, 50/60 Hz	Power supplied by the main monitor
Power consumption <sup>*2</sup>	Standby: 2.3 W, Operating: 11.3 W	-
Weight	VL-MV74BX: 705 g, VL-MV74AZ: 715 g, VL-MV74SX: 730 g, VL-MV74CX: 760 g <sup>*3</sup>	225 g
Operating environment	Ambient temperature: Approx. 0 °C to +40 °C Relative humidity (non-condensing): up to 90 %	Ambient temperature: Approx. -15 °C to +55 °C Relative humidity (non-condensing): up to 90 %
Display	7-inch wide colour with touch sensor / WVGA (800 x 480 pixels)	-
Display language	English, Arabic, Vietnamese	-
Talking method	Hands-free	-
Viewing angle	-	Horizontally: Approx. 85° Vertically: Approx. 54°
Image sensor (pixel)	-	1/3 inch CMOS sensor (Approx. 1.3 M pixels)
Installation method	Wall mount (mounting bracket supplied)	Surface mount (mounting base supplied) Flush mount (mount box sold separately)
Minimum illuminance required	-	1 lx (within approx. 50 cm from the camera lens)
Lighting method	-	LED lights
IP rating / IK rating	-	IP44 <sup>*4</sup>
External material	Flame retardant ABS resin	Flame retardant resin

\*1 Excluding sections embedded into the wall. \*2 Measurement conditions: VL-V524 (1 pcs.) is connected to the Main Monitor

\*3 Including AC cable. The weight of the AC cable differs depending on the region.

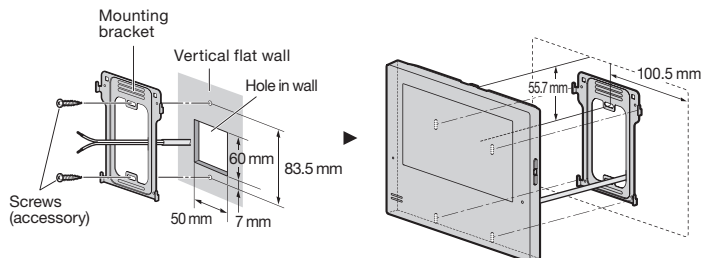
\*4 Water resistance is only assured if the doorphone is installed correctly according to the instructions in the Installation Guide, and appropriate water protection measures are taken.

## Installing the Doorphone



The camera angle can be adjusted using the camera angle control lever on the rear of the doorphone. (Up: 15°, Left or right: 15°)

## Installing the Main Monitor/Extension Monitor



- The actual product may vary slightly from photograph.
- Weights and dimensions are approximate.
- Design and Specifications are subject to change without notice.
- These products may be subject to export control regulations.

**Important**  
- Safety Precaution: carefully read the operating instructions and installation manual before using this product.

DISTRIBUTED BY :

**Panasonic**<sup>®</sup>